



**ATX**  
ATEX & IECEx RFID SERIES

## ATX 125 KHZ ATEX (EN60079) & IECEx READER



Compatible  
**SECARD**  
Security Management System



### COMPATIBILITY

- EM4200
- EM4x50
- T5557 emulated 4102



### STANDARDS



### PROXIMITY ACCESS CONTROL IN EXPLOSIVE ENVIRONMENTS

The ATX 125 kHz is an ATEX & IECEx certified proximity reader for all your RFID access control applications in explosive environments. STid's range of ATX RFID products can be used to meet all your contactless identification needs in the chemical and petrochemical industries, refineries or nuclear power plants.

### ATEX & IECEx CERTIFICATIONS

ATX 125 kHz readers are ATEX (EN60079) & IECEx certified, in accordance with the two relevant European Directives (99/92/EC and 94/9/EC) and are designed for personal identification applications in explosive environments. The EX II 2 GD IP66 explosion-proof casing is well-suited to the chemical, petrochemical and nuclear industries, among others.

### MULTI-TECHNOLOGY

The ATEX & IECEx certified proximity reader enables to read a lot of 125 kHz chips: EM4200, EM4x50, T5557 emulated 4102...

### BEST RELIABLE READING PERFORMANCES

The ATX 125 kHz ensures excellent reading performances in speed and reading distance. The proximity reader offers reliable reading distances: up to 15 cm\* (9.90") for a card detection in less than 50ms depending on the environment.



### EASY INTEGRATION

The ATX 125 kHz readers are easy to integrate in your existing or new access control system. They are available in a wide choice of communication interfaces (TTL, RS232 and RS485) and protocols for an easy adaptation with your system.



### MARKING

EC type examination certificate: BKI 08 ATEX 0048  
Type approved: GUB  
Ex II 2 GD  
(G: Gas / D: Dust)  
Ex d IIC T5  
Ex tD A21 T100°C IP66



## SPECIFICATIONS

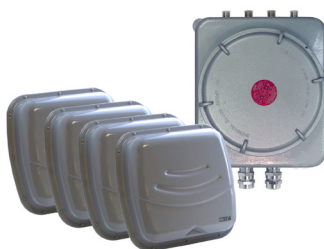
Operating frequency/standards	125 kHz
Chip compatibility	EM4200, EM4x50, T5557 emulated 4102
Functions	Read only
Reading distance*	Up to 15 cm (9.90") with a 125 kHz card
Communication interfaces	Standard TTL (R11) - Wiegand - Data/Clock (ISO2 Protocol) RS232 (R12) RS485 (R13)
Connections	2 cable glands PE PAP-R0 M20, for blinded cable ext. 10-19mm (0.39"/0.74") Internal block junction 10 x 2,5 mm <sup>2</sup> (0.39"x0.070")
Light indicator	LED (colors: green, red, orange) Controlled by external input (0V) (R11) Controlled by software (R12 - R13)
Power supply / Power requirement	Typical 100mA/12V + 9 VDC to + 15 VDC
Material	Aluminum alloy & stainless steel, epoxy grey RAL 9006
Dimensions	310 x 270 x 180 mm (12.20"x10.62"x 6.85")
Weight	13.5 Kg
Operating temperatures	- 20°C to + 70°C (-4°F to 158°F) - inside / outside use
Resistance	Ex II 2 GD IP66 explosion-proof reader / Reinforced vandal proof structure
Mounting	Wall mount: 4 brackets included - Screw diameter 11mm (1.1")
Certifications	CE & FCC ATEX (EN60079) & IECEX
Part number	Read only - TTL: ATX-R11-A/E01-xx/3.....ATX-R11-A/E01-xx/3 Read only - RS232: ATX-R12-A/E01-5c/3.....ATX-R12-A/E01-5c/3 Read only - RS485: ATX-R13-A/E01-7s/3.....ATX-R13-A/E01-7s/3



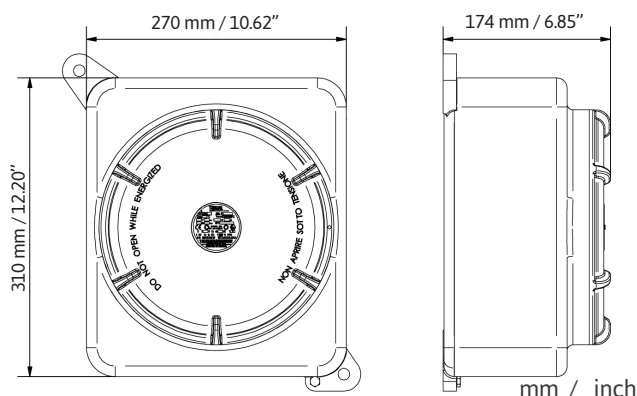
## DISCOVER OUR RANGE OF UHF ATEX & IECEX READERS



High performance reader  
1 external antenna



multi-antenna readers  
4 antenna deported



\*Caution: information about the distance of reading: measured from the center of the antenna, depending on the type of identifier, operating environment of the reader, power supply voltage. External disturbances can cause the reading distances to decrease. The performance is reduced on the athermic windshield.

Legal statements: STid is a trademark of STid SAS. All other trademarks are property of their respective owners. This document is the exclusive property of STid. STid reserves the right to stop any product or service for any reason and without any liability - Non contractual photographs

### Headquarters / EMEA

13850 Gréasque, France  
Tel.: +33 (0)4 42 12 60 60

### PARIS-IDF Office

92290 Châtenay-Malabry, France  
Tel.: +33 (0)1 43 50 11 43

### STid UK Ltd. LONDON

Hayes UB11 1FW  
Tel.: +44 (0) 192 621 7884

### STid UK Ltd.

Gallows Hill, Warwick CV34 6UW  
Tel.: +44 (0) 192 621 7884

### NORTH AMERICA Office

Irving, Texas 75063  
Tel.: +1 310 803 2114

### LATINO AMERICA Office

Cuahtémoc 06600 CDMX, México  
Tel.: +521 (55) 5256 4706

### AUSTRALIA / APAC Office

Ultimo, Sydney NSW 2007  
Tel.: +61 (0)2 9274 8853

info@stid.com

www.stid-industry.com